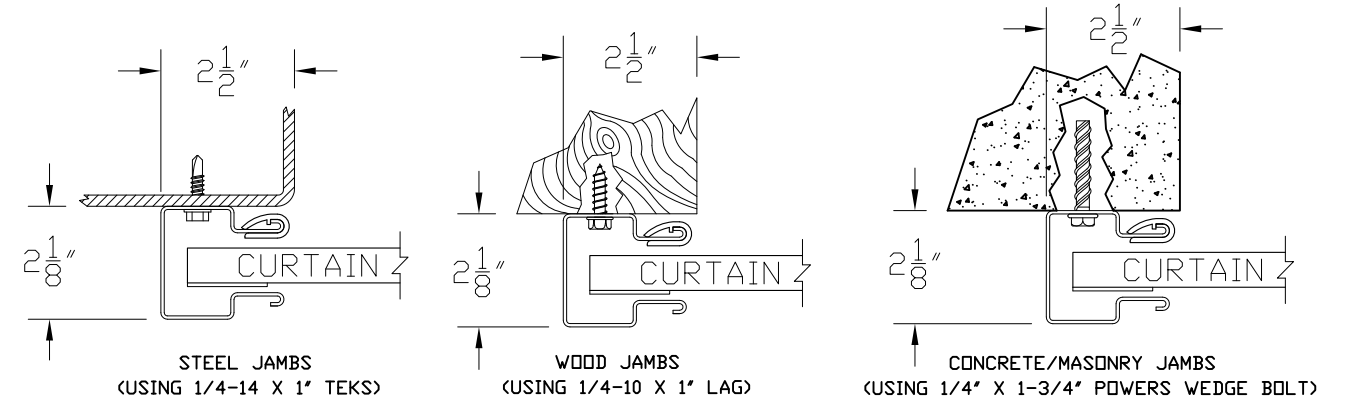
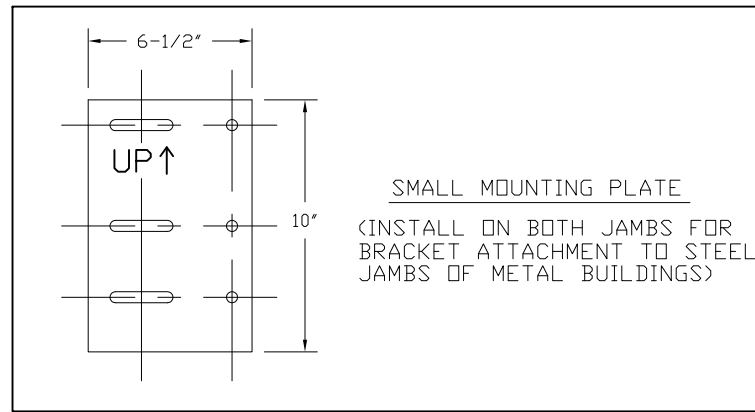


NOTES:

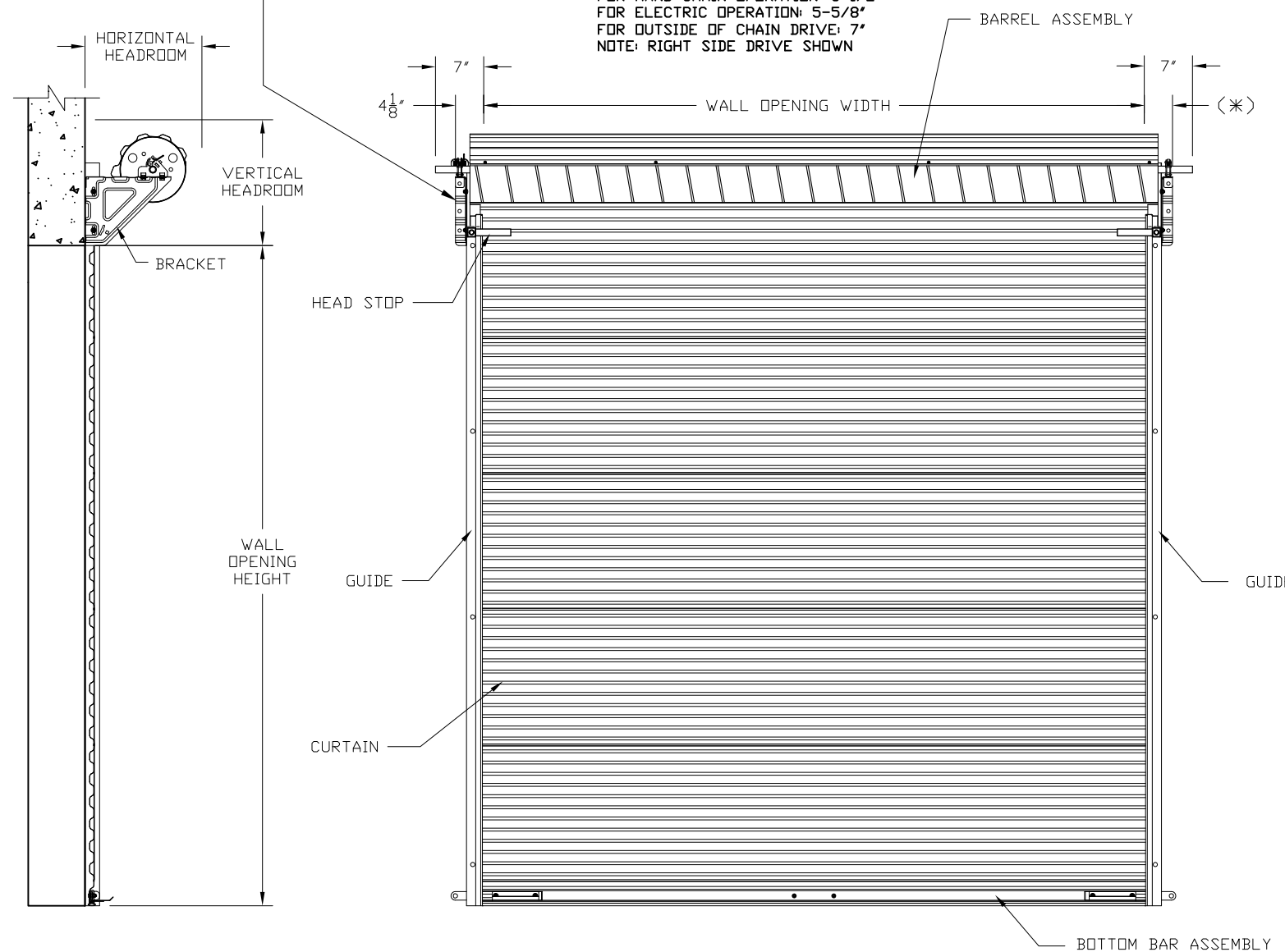
- 1) OPERATION TYPE MAY BE PUSH-UP, HAND CHAIN OR ELECTRIC.
- 2) CLEARANCES SHOWN ARE MAXIMUMS. LESSER CLEARANCES MAY BE POSSIBLE.
- 3) UNLESS OTHERWISE NOTED, DOORS SHALL BE PROVIDED WITH SLIDE LOCKS AT EACH END OF BOTTOM BAR, ENGAGING GUIDES IN THE LOCKED POSITION.
- 4) ALL OPENING PREPARATION, ELECTRICAL POWER AND FIELD PAINTING SHALL BE PROVIDED BY OTHERS.
- 5) SERIES 5101I IS AN INSULATED SERIES 5101
- 6) CURTAIN FINISH SHALL BE SILICONE POLYESTER PRE-PAINT OVER GALVANIZED GRADE 80 STEEL.
- 7) GUIDES, BRACKETS, BOTTOM BAR ANGLE AND HEAD STOPS ARE ZINC COATED.



BRACKET ATTACHMENT

CONCRETE/MASONRY: POWERS WEDGE-BOLT, 3/8 X 1-3/4' LONG
 WOOD: LAG SCREW, 3/8-7 X 3' LONG
 STEEL: HEX BOLT, GR.5, 3/8-16 X 1-1/4' LONG

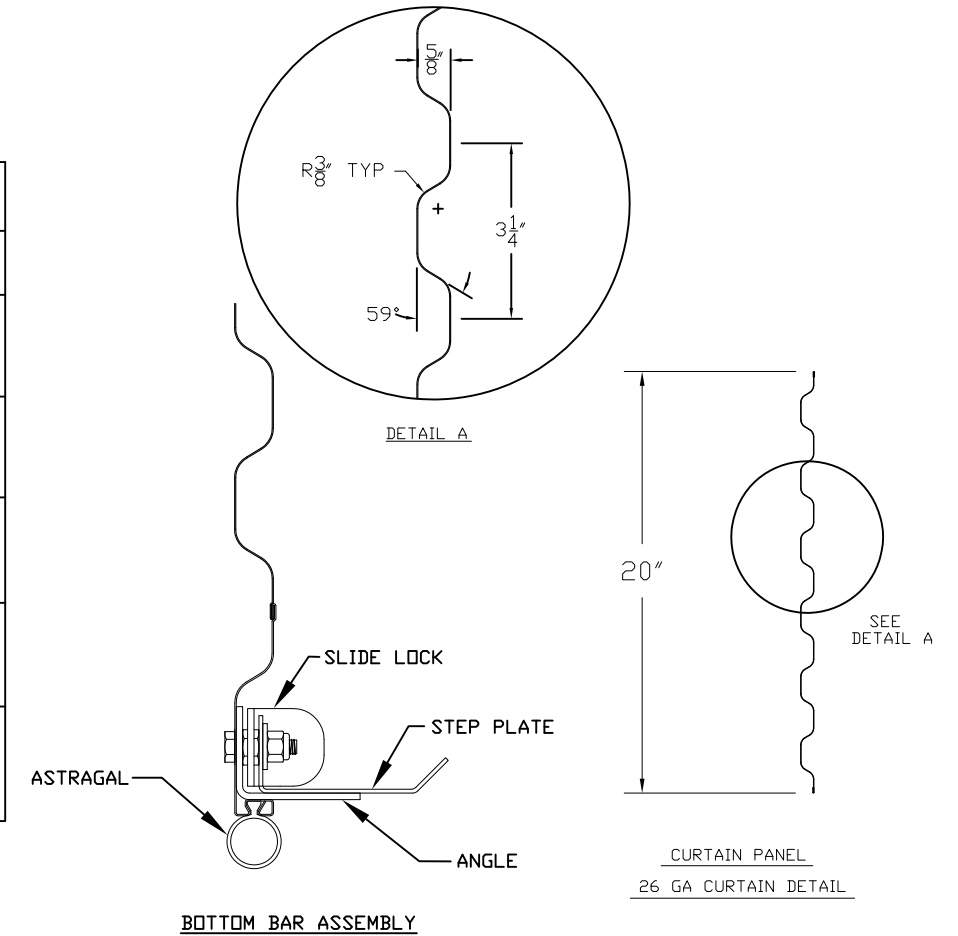
(*) FOR PUSH-UP OPERATION: 4-1/8"
 FOR HAND CHAIN OPERATION: 5-1/2"
 FOR ELECTRIC OPERATION: 5-5/8"
 FOR OUTSIDE OF CHAIN DRIVE: 7"
 NOTE: RIGHT SIDE DRIVE SHOWN



16 GA GUIDE MOUNTING DETAIL

HEADROOM REQUIRED

OPENING HEIGHT	VERTICAL HEADROOM	HORIZONTAL HEADROOM
THRU 8'-0"	16'	18'
OVER 8'-0" THRU 10'-0"	18'	20'
OVER 10'-0" THRU 14'-0"	19'	21'
OVER 14'-0" THRU 16'-0"	20'	22'
OVER 16'-0" THRU 18'-0"	21'	23'
OVER 18'-0" THRU 20'-0"	22'	24'



END VIEW

INSIDE ELEVATION

4-6-10

FACTORY ORDER NUMBER	DOOR SERIES		QTY	OPENING SIZE		JAMB TYPE			OUTSIDE CURTAIN COLOR	OPERATION			WEATHERSTRIP			ADDED OPTIONS	
	5101	5101I		WIDTH	HEIGHT	STEEL	CONC./MAS.	WOOD		PUSH UP	REDUCED CHAIN	ELECTRIC	OPERATION HAND	TOP	HEADER		SIDE

Amarr 5501/5101I

CUSTOMER NUMBER:	DATE:
CUSTOMER NAME:	CONTACT:
PROJECT NAME:	
PROJECT LOCATION:	
PLANT:	SALESPERSON:
DRAWN BY:	DATE:
DRAWING NUMBER:	SHT: OF:

ENTRE/MATIC
 WINSTON - SALEM N.C.
 336.744.5100 • 800.503.0008